



182x132x144 mm Universal

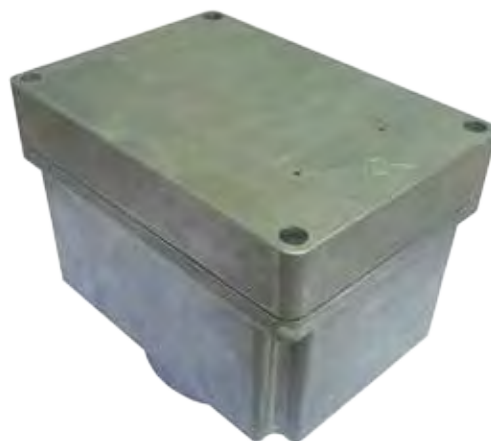
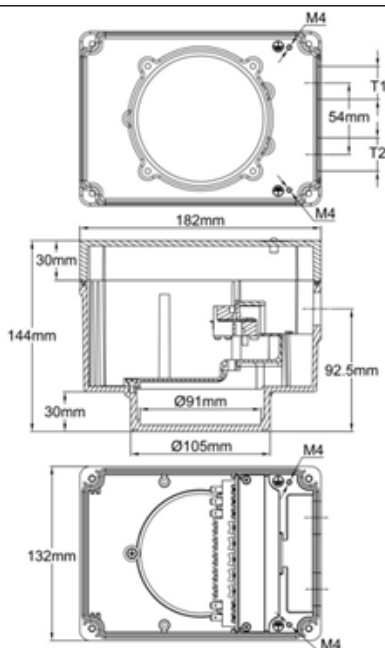
Immersion heaters connection boxes

Dimensions: 182x132x144 mm Universal (1st section)

Material: Die cast aluminum

Type: Universal, unlosable stainless steel fasteners
Many versions of this box size, fully equipped and wired are described in the catalog No. 3, series Y7.

Basic references



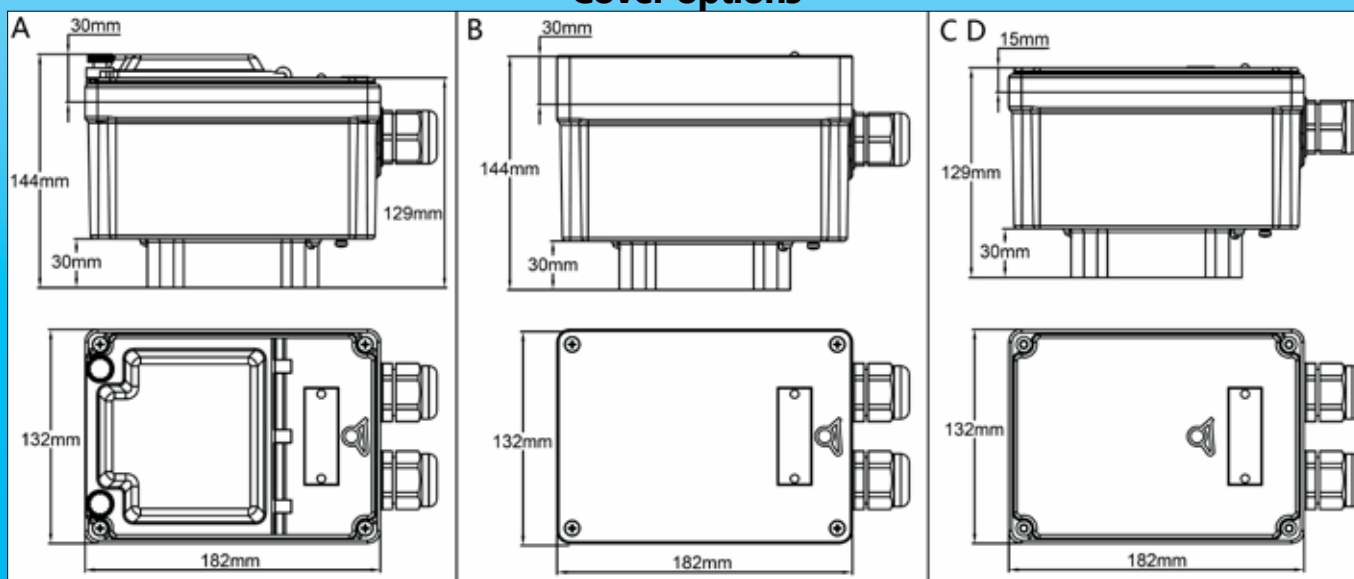
Basic references, with aluminum cover, no fitting holes, cable gland not included*

No cable gland hole.	Y309U00B00TTOXA0
1 x M20 x 1.5 thread (T1).	Y309UM1B00TTOXA0
1 x M25 x 1.5 thread (T1).	Y309UM3B00TTOXA0
2 x M20 x 1.5 threads (T1+T2).	Y309UM8B00TTOXA0
2 x M25 x 1.5 threads (T1+T2).	Y309UM9B00TTOXA0
2x dia 20 holes for DIN 43650A connectors(T1+T2)**	Y309U1GB00TTOXA0

* This type, with EX-e cable gland, can be fitted with thermostats for explosive areas. See catalogue N°4

** This output is mandatory for models with 2 K thermostats

Cover options



View	Description	References
A	Plastic cover with window	Replace B in the basic reference by A
B	Aluminum cover. (standard)	See basic references
C	Plastic cover, black color.	Replace B in the basic reference by C
D	Plastic cover, clear.	Replace B in the basic reference by D